

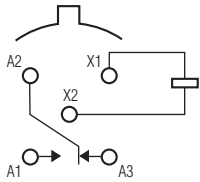
# 1MS • 1MSD • 1MSDD • 1MST

TO-5 HIGH-PERFORMANCE RELAYS

## 1MS

**SENSITIVE TO-5  
HIGH-PERFORMANCE RELAY**

**QUALIFIED TO  
MIL-R-39016/10**



TERMINAL VIEW

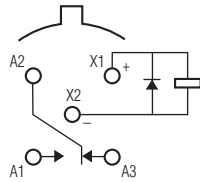
**FEATURES**

- Hermetically sealed
- High shock & vibration ratings
- Spreader pad
- Excellent RF switching

## 1MSD

**SENSITIVE TO-5  
DIODE SUPPRESSED  
HIGH-PERFORMANCE RELAY**

**QUALIFIED TO  
MIL-R-39016/25**



TERMINAL VIEW

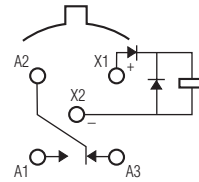
**FEATURES**

- Suppression diode
- Hermetically sealed
- High shock & vibration ratings
- Spreader pad
- Excellent RF switching

## 1MSDD

**SENSITIVE TO-5 DIODE  
SUPPRESSED/PROTECTED  
HIGH-PERFORMANCE RELAY**

**QUALIFIED TO  
MIL-R-39016/26**



TERMINAL VIEW

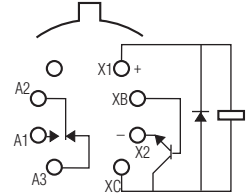
**FEATURES**

- Suppression & protection diodes
- Hermetically sealed
- High shock & vibration ratings
- Spreader pad
- Excellent RF switching

## 1MST

**SENSITIVE TO-5 DIODE  
SUPPRESSED/TRANSISTOR DRIVEN  
HIGH-PERFORMANCE  
RELAY**

**QUALIFIED TO  
MIL-R-28776/4**



TERMINAL VIEW

**FEATURES**

- Transistor driver & suppression diode
- Hermetically sealed
- High shock & vibration ratings
- Spreader pad
- Excellent RF switching

**ELECTRICAL CHARACTERISTICS**

**CONTACT ARRANGEMENT**  
1 Form C (SPDT)

**CONTACT MATERIAL**  
Stationary:  
Gold/platinum/palladium/silver alloy (gold plated)

Moveable:  
Gold/platinum/palladium/silver alloy (gold plated)

**CONTACT RESISTANCE**  
Before Life: 100 milliohms max. (measured @ 10 mA @ 6 Vdc)  
After Life: 200 milliohms max. (measured @ 1 A @ 28 Vdc)

**MECHANICAL LIFE EXPECTANCY**  
1 million operations

**COIL VOLTAGE**  
5 to 40 Vdc

**COIL POWER**  
506 mW max. @ 25°C

**DUTY CYCLE**  
Continuous

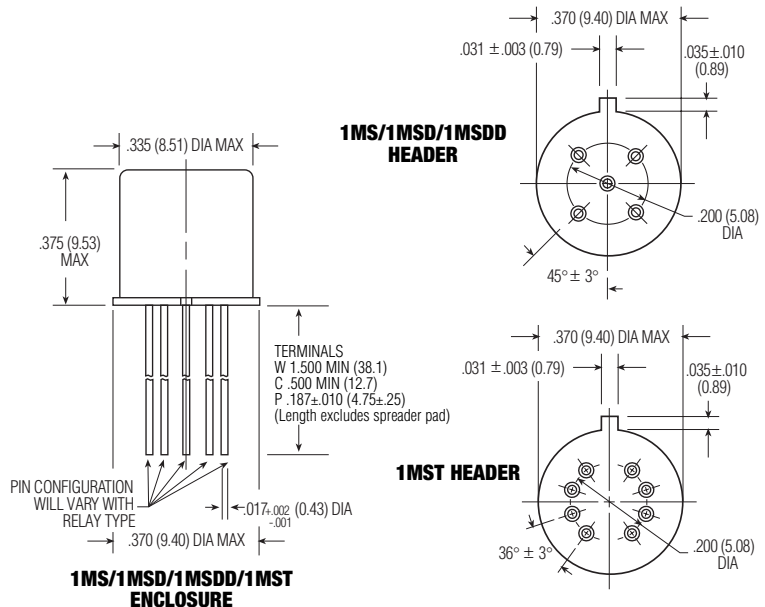
**PICK-UP VOLTAGE**  
Approximately 50% of nominal coil voltage

**PICK-UP SENSITIVITY**  
40 mW max. @ 25°C



**CONTACT RATINGS**

CONTACT LOAD	TYPE	OPERATIONS MIN.
1.0 A @ 28 Vdc	Resistive	100,000
250 mA @ 115 Vac, 60 Hz & 400 Hz	Resistive (case not grounded)	100,000
100 mA @ 115 Vac, 60 Hz & 400 Hz	Resistive	100,000
0.2 A @ 28 Vdc	Inductive (0.32 Henry)	100,000
0.1 A @ 28 Vdc	Lamp	100,000
30 mA @ 50 mVdc	Low Level	1,000,000
0.1 A @ 28 Vdc	Intermediate Current	50,000



**OPERATING CHARACTERISTICS**

**TIMING**

Operate Time:  
4.0 ms max.  
1MST: 3.5 ms max.  
(transistor driven)  
Release Time:  
1MS: 2.5 ms max.  
1MSD/1MSDD: 7.5 ms max.  
(suppression diode,  
suppression/steering diodes)  
1MST: 7.5 ms max .  
(transistor driven)

**CONTACT BOUNCE**

1.5 ms max

**DIELECTRIC WITHSTANDING VOLTAGE**

Between Open Contacts:  
500 Vrms 60 Hz  
Between Adjacent Contacts:  
500 Vrms 60 Hz  
Between Contacts & Coil:  
500 Vrms 60 Hz

**INSULATION RESISTANCE**

10,000 megohms @ 500 Vdc  
1,000 megohms @ 500 Vdc  
(coil to case @ +125°C)

**ENVIRONMENTAL CHARACTERISTICS**

**TEMPERATURE RANGE**

-65°C to +125°C

**WEIGHT**

0.10 oz. (2.84 grms)  
0.11 oz. (3.09 grms) with spreader  
pad attached

**VIBRATION RESISTANCE**

30 G's, 10 to 3,000 Hz

**SHOCK RESISTANCE**

75 G's, 6 ±1 ms max.

**QPL APPROVAL**

MIL-R-39016/10 (J1MS)  
MIL-R-39016/25 (J1MSD)  
MIL-R-39016/26 (J1MSDD)  
MIL-R-28776/4 (J1MST)

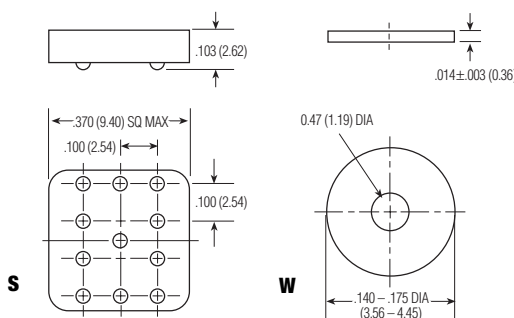
**SEMICONDUCTOR CHARACTERISTICS**

**DIODE**

100 Vdc peak inverse voltage (PIV)  
1.0 Vdc max. transient voltage

**TRANSISTOR**

0.3 Vdc min. base turn off voltage  
6.0 Vdc min. emitter-base  
breakdown voltage (BV<sub>EBO</sub>) @ 25°C  
80.0Vdc min. collector-base  
breakdown voltage (BV<sub>CBO</sub>) @ 25°C  
& I<sub>C</sub>=100 mA



**SPREADER & MOUNTING PADS**

**COIL DATA**

NOM. COIL VOLTAGE (Vdc)	COIL RESISTANCE IN OHMS ±10% @ 25°C (Note 1)	COIL CIRCUIT CURRENT mA (MAX.) (Note 1&2)	COIL CIRCUIT CURRENT mA (MIN.) (Note 1&2)	PICKUP VOLTAGE Vdc (MAX.) @ 25°C (Note 2)	BASE TURN ON CURRENT mA (MAX.) @ 25°C	PICKUP VOLTAGE Vdc (MAX.) @ 125°C (Note 2)	BASE TURN ON CURRENT mA (MAX.) @ 125°C	DROP-OUT VOLTAGE Vdc (MIN.) @ 25°C (Note 2)	DROP-OUT VOLTAGE Vdc (MIN.) @ -65°C (Note 2)	NOM. COIL POWER (mW) @ 25°C	MAX. COIL VOLTAGE	COIL DESIG.
<b>1MS/1MSD</b>												
5.0	125	n/a	n/a	2.8	n/a	3.7	n/a	0.23	0.15	200	8.0	5
6.0	255	n/a	n/a	3.5	n/a	4.5	n/a	0.28	0.18	141	11.0	6
9.0	630	n/a	n/a	5.3	n/a	6.8	n/a	0.54	0.35	129	12.0	9
12.0	1,025	n/a	n/a	7.0	n/a	9.0	n/a	0.63	0.40	140	22.0	12
18.0	2,300	n/a	n/a	10.5	n/a	13.5	n/a	0.91	0.59	141	24.0	18
26.5	4,000	n/a	n/a	14.2	n/a	18.0	n/a	1.37	0.89	176	45.0	26
32.0	6,500	n/a	n/a	18.7	n/a	24.0	n/a	1.59	1.0	158	57.0	32
40.0	11,000	n/a	n/a	23.3	n/a	30.0	n/a	2.0	1.3	145	75.0	40
<b>1MSDD</b>												
5.0	100	50.0	36.3	3.5	n/a	4.5	n/a	0.23	0.15	250	8.0	5
6.0	200	30.6	22.7	4.1	n/a	5.5	n/a	0.28	0.18	180	11.0	6
9.0	630	15.0	11.5	6.3	n/a	7.8	n/a	0.54	0.35	129	16.0	9
12.0	1,025	12.5	9.7	8.0	n/a	10.0	n/a	0.63	0.40	140	22.0	12
18.0	2,300	8.5	6.7	11.6	n/a	14.5	n/a	0.91	0.58	141	33.0	18
26.5	4,000	7.2	5.7	15.4	n/a	19.0	n/a	1.37	0.89	176	45.0	26
32.0	6,500	5.4	4.3	17.0	n/a	21.0	n/a	1.5	0.95	158	57.0	32
40.0	11,000	4.0	3.2	22.0	n/a	27.0	n/a	2.0	1.28	145	75.0	40
<b>1MST</b>												
5.0	125	47.8	34.7	2.6	0.28	3.6	1.20	0.22	0.15	200	8.0	5
6.0	255	27.7	21.2	3.5	0.20	4.8	0.78	0.28	0.18	141	11.0	6
9.0	630	16.8	11.8	5.4	0.13	7.8	0.48	0.54	0.35	129	16.0	9
12.0	1,025	13.6	10.1	6.6	0.10	10.0	0.39	0.63	0.41	140	22.0	12
18.0	2,300	9.1	6.7	9.8	0.07	14.5	0.26	0.91	0.58	141	33.0	18
26.5	4,000	7.7	5.7	12.8	0.05	19.0	0.20	1.37	0.89	176	45.0	26
32.0	6,500	5.8	4.2	18.7	0.04	24.0	0.16	1.60	1.00	158	57.0	32
40.0	11,000	4.3	3.1	23.3	0.03	30.0	0.13	2.10	1.30	145	75.0	40

Note 1: Coil resistance not directly measurable. Coil current should be within limits shown when tested at nominal voltage at 25°C for 5 seconds max.  
Note 2: Set base current at 3 mA to 15 mA during measurements.

<b>SPECIFYING A PART NUMBER EXAMPLE:</b>	<b>TYPE</b>	<b>TERMINALS</b>	<b>DIODES TRANSISTOR</b>	<b>COIL</b>	<b>SPREADER/MOUNTING PADS</b>
	1MS	C	D	-26	S

